

DC FAN



P/N : AF0011

Application for: 1U Server System Fan



| SPECIFICATION | |
|-----------------|-------------------------|
| Compatibility | DC Fan |
| Fan Dimension | 40 x 28 mm |
| Rated Voltage | 12 VDC |
| Operating Range | 5.0~13.2 V |
| Rated Current | 0.28 A |
| Rated Speed | 10000 rpm \pm 10% |
| Air Flow | 15.32 CFM |
| Static Pressure | 9.16 mmH ₂ O |
| Noise Level | 42.9 dBA |
| Connector | 3 Pin |
| Bearing | 2 Ball Bearing |
| Life expectancy | 50,000 Hrs |
| Weight | 31 g |



Top view



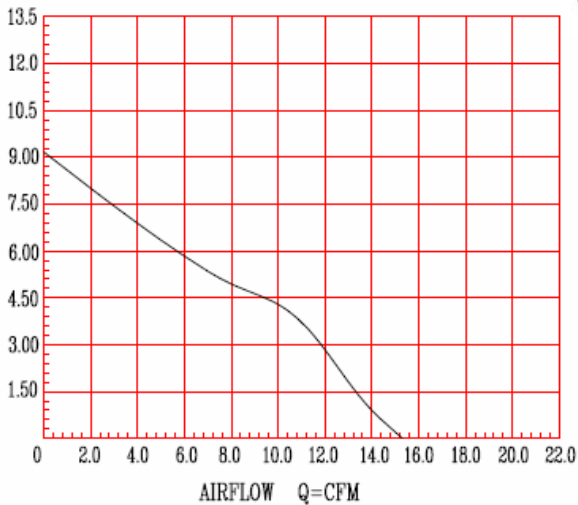
Side view



3 Pin Connect

AIR PRESSURE-AIR FLOW (PERFORMANCE CURVES)

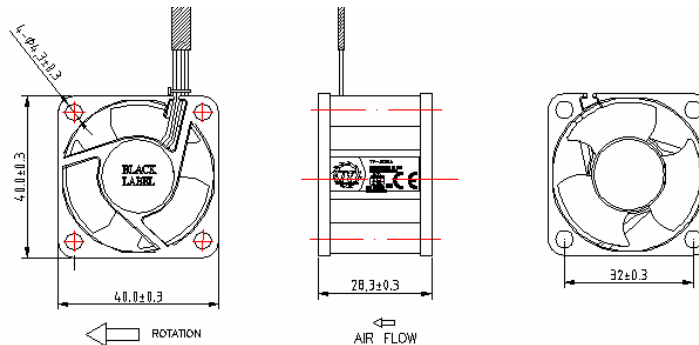
AIR PRESSURE(mmH₂O)



FEATURES:

- Long life time expectancy for extreme users.
- Higher air flow to enhance cooling performance.
- Ultra silent operation at 42.9 dBA .
- Economic solution for perfect performance.
- RoHS compliance for protecting the environment.

DIMENSION



Unit: mm