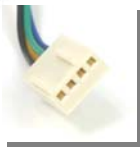


DC FAN



P/N : AF0012

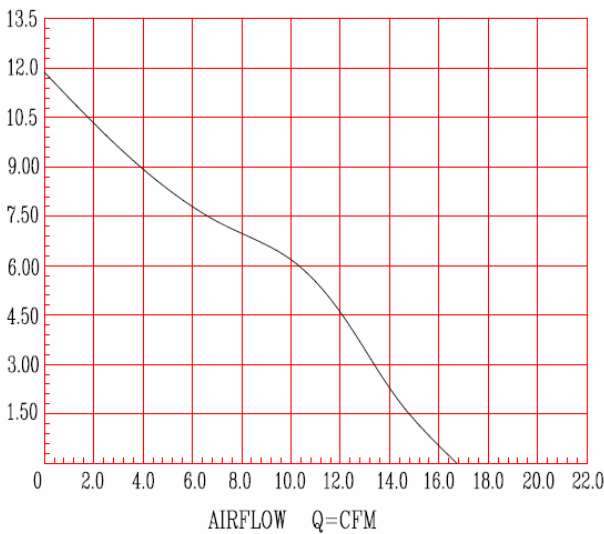
Application for: 1U Server System Fan



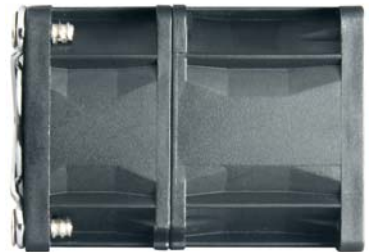
4 Pin PWM Function

SPECIFICATION	
Compatibility	DC Fan
Fan Dimension	40 x 56 mm
Rated Voltage	12 VDC
Operating Range	11.4-12.6 V
Rated Current	0.3 A
Rated Speed	6000 ± 10% - 10000 rpm ± 10%
Air Flow	10.07 – 16.78 CFM
Static Pressure	4.29 – 11.93 mmH ₂ O
Noise Level	42.0 – 58.0 dBA
Connector	4 Pin (PWM)
Bearing	2 Ball Bearing
Life expectancy	50,000 Hrs
Weight	81 g

AIR PRESURE-AIR FLOW (PERFORMANCE CURVES)
AIR PRESSURE(mmH₂O)



Top view

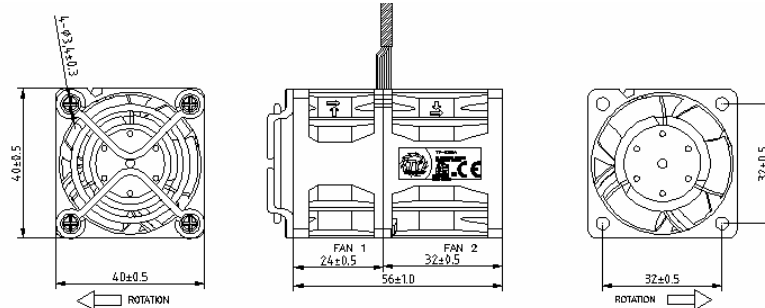


Side view

FEATURES:

- Long life time expectance for extreme users.
- Higher air flow to enhance cooling performance.
- Ultra silent operation at 42.0 – 58.0 dBA .
- Economic solution for perfect performance.
- RoHS compliance for protecting the environment.
- Fan with PWM function.

DIMENSION



Unit: mm