

Thermaltake P4 Spark 5 Highest Performance Cooler

P4 Spark 5 P/N : A1586

Opti – Fin, Cu-Cu soldering

**Application for Intel P4 478 FMB2,
3.2 GHz and higher**



Bottom View

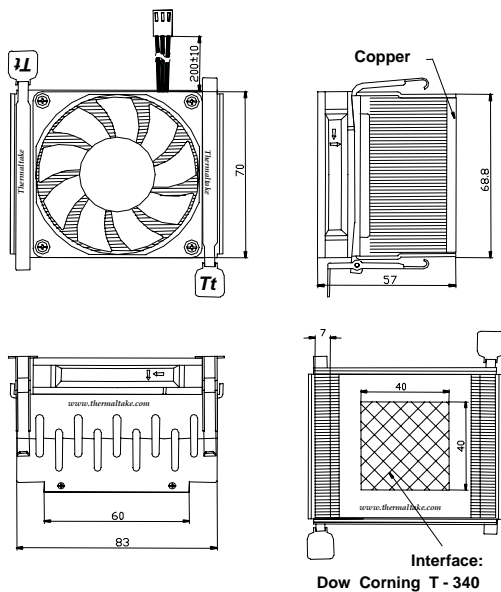
SPECIFICATION

Fan Dimension :	70x70x15 mm
Heatsink Dimension :	82 x 65 x 35.5 mm
Rated Voltage :	12 V
Started Voltage :	7 V
Rated Current :	0.55 A (Max.)
Power Input :	6.6 W
FAN Speed :	5500 ± 10% RPM
Max. Air Pressure :	6.8 mm-H ₂ O
Max. Air Flow :	39.5 CFM
Noise :	45.5 dBA
Bearing Type :	Ball bearing
Life Expectation :	50,000 Hours
Connector :	3 Pin

FEATURE:

- Thermal Resistance : 0.37 °C/W
- Heatsink : Opti – Fin, Cu-Cu soldering made
- Clip Type : Metal Clip , Tool – Free
- Interface Material : Dow Corning T - 340

DIMENSION



Unit: mm

THERMAL PERFORMANCE

P4 Spark 5

