

Thermaltake K450 Highest Performance Cooler

P/N : CL-P0075

Application for AMD Opteron and Athlon 64 / Athlon 64 FX55



Copper Base



Tool-free clip



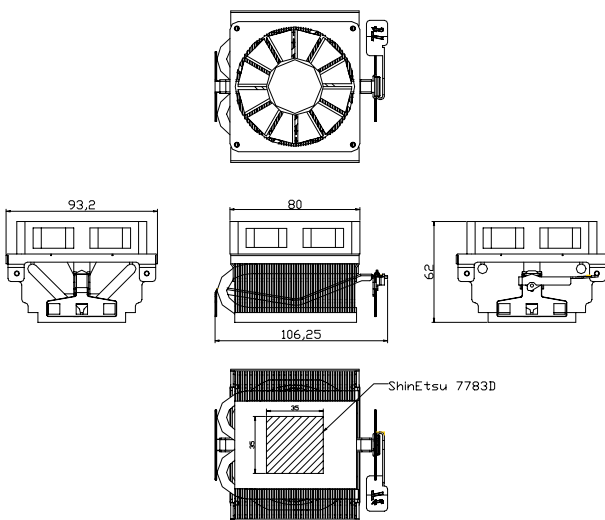
Heatpipe Technology

SPECIFICATION

Fan Dimension :	80x80x20mm
Heatsink Dimension :	90.2x84.3x39mm
Rated Voltage :	12V
Started Voltage :	6.5 V
Rated Current :	0.12~0.43A
Power Input :	1.44~5.16W
Fan Speed :	2800 RPM at 32 °C 5500 RPM at 42 °C
Max. Air Flow :	32.190 CFM at 32 °C 60.465 CFM at 42 °C
Max. Air Pressure:	3.123 mmH ₂ O at 32 °C 11.421 mmH ₂ O at 42 °C
Noise :	29.5 dBA at 32 °C 50.5 dBA at 42 °C
Bearing Type :	2 ball
Life Expectation :	70,000 hrs
TIM :	Shin Etsu X-23-7783D
Connector :	3 Pin
Weight :	438g



DIMENSION



Unit: mm

FEATURES

- 80 x 80 x 18 mm thermal control fan.
- Copper base with heatpipe technology.
- High density thin fin, more surface area gives good heat dissipation
- Tool - free clip, easy installation

THERMAL PERFORMANCE

