

Thermaltake High Performance Side Flow LGA 775 Cooler

P/N : CL-P0076

Application for Intel P4 LGA 775 130W CPU

Side Flow



Aluminum Fins & Copper Base Soldering & Dual Heat Pipe Technology

Safety back plate



4 Pin PWM function



Spring screw

SPECIFICATIONS



Fan Dimension : 70x70x15 mm

Heat Sink Dimension : 86x66x77mm

Rated Voltage : 12V

Started Voltage : 7V

Rated Current :

(AT DUTY 0-100% CURRENT 0.06~0.4 AMP)

Power Input :

(AT DUTY 0-100% POWER 0.72W~4.8 W)

Fan Speed :

(AT DUTY 0-100% RATED 1000-6000RPM)

Max. Air Flow :

(AT DUTY 0-100% AIRFLOW 7.83~46.98 CFM)

Max. Air Pressure:

(AT DUTY 0-100% Pressure 0.25~8.94 mm H₂O)

Noise :

(AT DUTY 0-100% dB 19-45 dB)

Bearing Type : 1 Ball 1 Sleeve

Life Expectation : 40,000 Hours

Connector : 4 Pin L=220mm

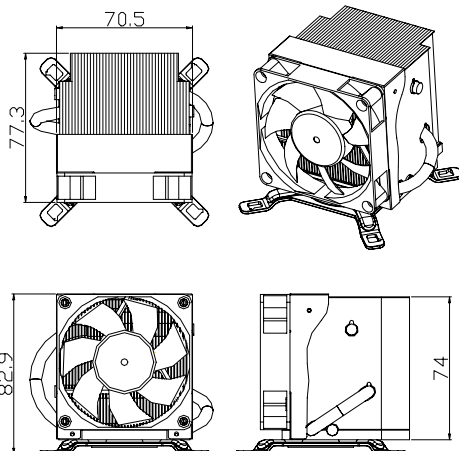
Thermal Interface: Thermagon T-Grease 2500

Thermal Resistance: R=0.249 /W

FEATURES:

- Powerful 70x70x15mm fan with fourth fan pin has **PWM**(Pulse Width Modulation) function
- **Dual heat pipe** technology provides the best cooling performance
- **Spring screw design**, easy to install

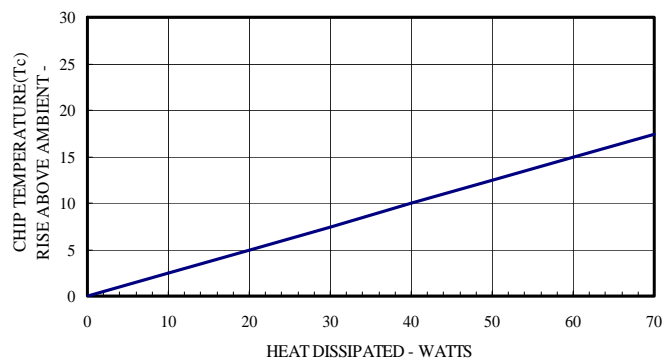
DIMENSION



Unit: mm

www.thermaltake.com
thermaltake@thermaltake.com

THERMAL PERFORMANCE



REVISION B. 2005.4