

Advanced Engineering by Thermaltake

P/N : CL-P0336

Application for Intel LGA775 Conroe 65W Solution



Radiate fins(89fins)



4 pin connector



9025 Circeled fan

SPECIFICATION

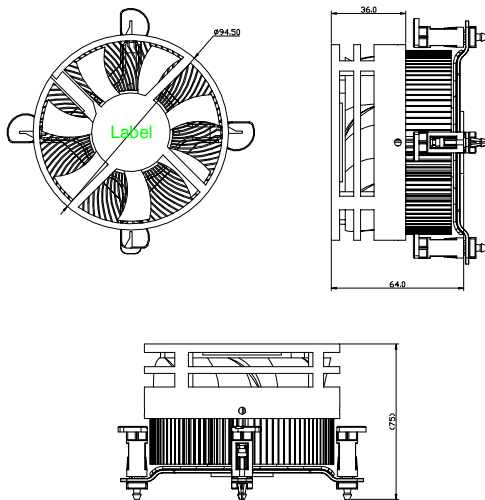


Fan Dimension : \varnothing 92x25 mm
Heat Sink Dimension : \varnothing 90x40 mm
Rated Voltage : 12V
Started Voltage : 7V
Rated Current : 0.77 AMP
Rated Input : 6.84 W
Fan Speed : 4200RPM \pm 10%
Max. Air Flow : 69.07 CFM
Static Pressure:10.64 mm H₂O
Noise Level : 48dB
Bearing Type : 1 Ball 1 Sleeve Bearing
Life Expectation : 30,000 hrs in 25
Connector : 4Pin (PWM)=200 mm
Thermal Interface: BERGUIST TIC-1000A
Thermal Resistance: R=0.258 /W

FEATURES:

- Radiate fins(89fins), all Aluminum extrusion heat-sink with Aluminum core inserted.
- The fourth fan pin has **PWM** (Pulse Width Modulation) an speed control function: decrease energy consumption, reduces acoustics noise and increase fan performance.
- Push pin design**,require no tool to install.
- TIC-1000A perform well to facilitate heat transmission.

DIMENSION



Unit: mm

THERMAL PERFORMANCE

