

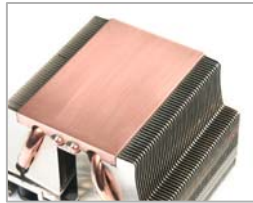
Thermaltake AMD Cooler Series

P/N : CL-P0366

Application for Application for AMD Athlon 64 X2/Athlon 64 FX/ Athlon 64(Socket AM2/ 939/754) and Sempron (Socket AM2/754)



Tool-less Clip



Copper Base



High Density Fin



4 Heat-pipes



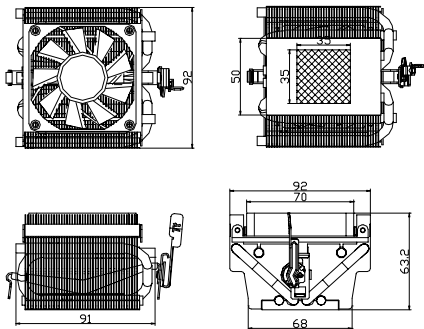
4 Pin PWM & Temp. Control Fan.

SPECIFICATION	
Dimension	(L)106x(W)92x(H)63mm
Fan Dimension	(L)70x(W)70x(H)15mm
Heat Sink Material	Aluminum fins/ Copper base
Heatpipe	Copper Tube \varnothing 6mm x 4
Rated Voltage	12V
Operating Range	10.8V~13.2V
Consuming Current	At 32°C & 42°C Duty Cycle 0%=0.1 Amp At 42°C Duty Cycle 100%=0.4 Amp
Consuming Power	At 32°C & 42°C Duty Cycle 0%=1.20W At 42°C Duty Cycle 100%=4.80W
Rated Speed	At 32°C Duty 0%~100% 1000+/-400~3100RPM+/-10% At 42°C Duty 0%~100% 1000+/-400~5800RPM+/-10%
Air Flow	At 32°C Duty 0%~100% 9.49~23.10 CFM (Max.) At 42°C Duty 0%~100% 9.49~44.43 CFM (Max.)
Static Pressure	At 32°C Duty 0%~100% 0.21~2.49 mmH ₂ O (Max.) At 42°C Duty 0%~100% 0.21~9.03 mmH ₂ O (Max.)
Noise Level	At 32°C Duty 0%~100% 18~28 dBA At 42°C Duty 0%~100% 28~45dBA
Connector	4 Pin (PWM + Temp Control)
Bearing	2 Ball Bearing
Life expectancy	70,000 Hrs
TIM	Dow Corning TC-5022
Weight	454g

FEATURES:

- Heat-sink: Aluminum fins soldered to copper base
- Tool-less Cam Lever Clip is easy to install.
- Four heat-pipe provide better heat transmission.
- Dow Corning TC-5022 interface material, perform well

DIMENSION



Unit: mm

Thermal Performance

