

Intel Core 2 Duo Thermal Solution

P/N : CL-P0441

Designed for Intel Core 2 Duo Processor
Application for Intel Core 2 Duo / Pentium D /
Celeron series (Socket LGA775)



Top View



Side View



Spring Screw



Crotch Fin



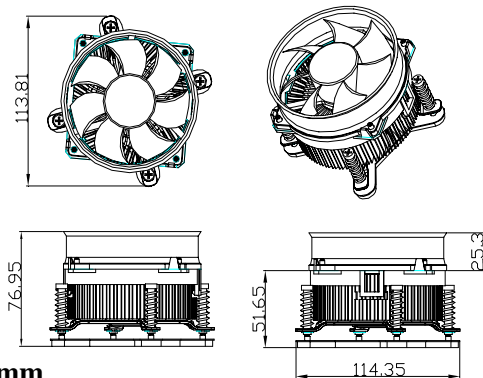
Perfect Contact Surface

SPECIFICATION	
Compatibility	Intel Core 2 Extreme / Core 2 Duo / Pentium D / Pentium 4 HT / Pentium 4 / Celeron D (Socket LGA775 Series)
Dimension	(L)110 x (W)110 x (H)80 mm
Fan Dimension	90 x 25 mm
Heat Sink Material	Aluminum Crotch Fin, Aluminum Core
Rated Voltage	12V
Operating Range	5V
Consuming Current	0.18 Amp (MAX. 0.26 Amp)
Consuming Power	2.16 W (MAX. 3.12 W)
Rated Speed	2500 rpm
Air Flow	41.41 CFM
Static Pressure	2.48 mmH ₂ O
Noise Level	31 dBA
Connector	3 Pin
Bearing	Sleeve
Life expectancy	30,000 Hrs
TIM	Dow Corning TC-5121
Weight	414g

FEATURES:

- . Aluminum Crotch Fin provides more heat dissipation area.
- . Silent operation.
- Optimized solution for low power processors.
- . Back plate & Spring Screw mounting method ensure safe installation when shipping.

DIMENSION



Unit: mm

Thermal Performance

