

## AMD AM2 Thermal Solution

**P/N : CL-P0444**

Application for AMD Athlon 64 X2/Athlon64/ Sempron  
(Socket AM2/754/939)



Side View



Tool-less clip



Top View

### Specification

Dimension: 92(L)x88.6(W)x74.5(H)mm

Rated Voltage : 12V

Started Voltage : 6V

Rated Current : 0.25A

Power Input : 2.88W

Fan Speed : 2200 ± 10% RPM

Max. Air Flow : 38.7CFM

Max. Air Pressure: 2.69 mm H<sub>2</sub>O

Noise : 18 dBA

Life Expectation : 30,000 Hours

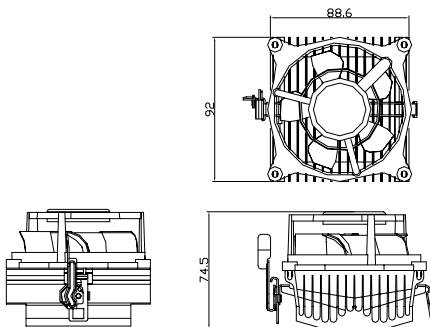
Connector : 3 Pin

Weight: 271g

### FEATURES:

- Perfect ratio aluminum extrusion heatsink for better heat dissipation.
- Tool-free clip and easy installation.
- Silent Solution: Special reversed fan reducing the noise .
- Optimized solution for low power processors.

### DIMENSION



Unit: mm

### Thermal Performance

