

Intel LGA 775 Desktop

65W

P/N : CL-P0504

Designed for Intel Core 2 Duo Processor

Application for Intel Core 2 Duo / Pentium D / Pentium 4 / Celeron D series (Socket LGA775)



Top View



AL Heatsink



Side View



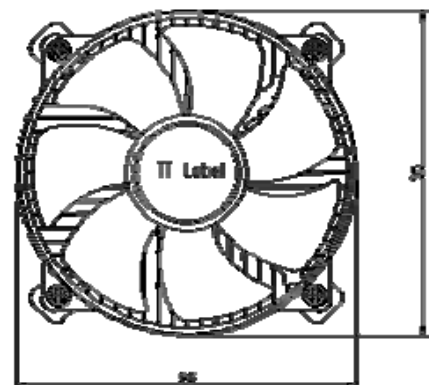
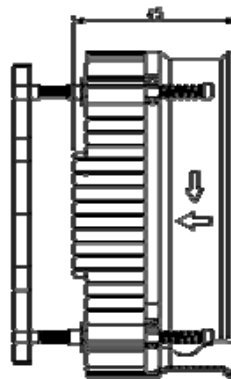
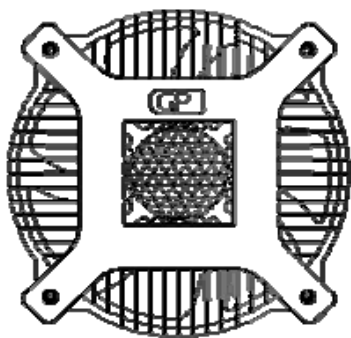
Plastic Backplate

SPECIFICATION	
Compatibility	Intel Core 2 Duo / Pentium D / Pentium 4 / Celeron D series (Socket LGA775)
Dimension	∅ 95 x 45 mm
Fan Dimension	∅ 92 x 25 mm
Heat Sink Material	Aluminum Extrusion
Rated Voltage	12 V
Operating Range	10.8~13.2 V
Rated Current	0.22 A
Locked Current	0.34 A
Rated Speed	2500 rpm ± 10%
Air Flow	49.2CFM
Static Pressure	4.77 mmH ₂ O
Noise Level	27 dBA (Max.)
Connector	3 Pin
Bearing	Rifle Bearing
Life expectancy	40,000 Hrs
Weight	210g

FEATURES:

- Aluminum Extrusion Heatsink provides more heat dissipation area.
- Silent operation.
- Optimized solution for low power processors.
- Back plate & Spring Screw mounting method ensure safe installation when shipping.

DIMENSION



Unit: mm