



## P/N : CLP0515

Application for:

AMD Athlon 64 X2 : ADA 3600 - 6000

Athlon 64 FX : ADAFX 62i – 72i

Athlon 64 : ADA 3000 - 4000

Sempron : SDA 2800 - 3800



SPECIFICATION	
Compatibility	Athlon 64 X2 : ADA 3600-6000 Athlon 64 FX : ADAFX 62i – 72i Athlon 64 : ADA 3000-4000 Sempron : SDA 2800-3800
Dimension	(L)77.0 x (W)75.5.0 x (H)53.0 mm
Fan Dimension	80 x 80 x 25 mm
Heat Sink Material	Aluminum Extrusion + Copper Core
Rated Voltage	12 V
Operating Range	7.0~13.2 V
Rated Current	0.18 A
Rated Speed	2600 rpm ± 10%
Air Flow	30.9 CFM
Static Pressure	2.54 mmH <sub>2</sub> O
Noise Level	30.8 dBA
Connector	3 Pin
Bearing	Rife Bearing
Life expectancy	40,000 Hrs
Weight	284 g
Thermal Interface Material	ShinEtsu AD66
Thermal Resistance	0.476 °C/W



Top View



AL+ Cu Heat Sink

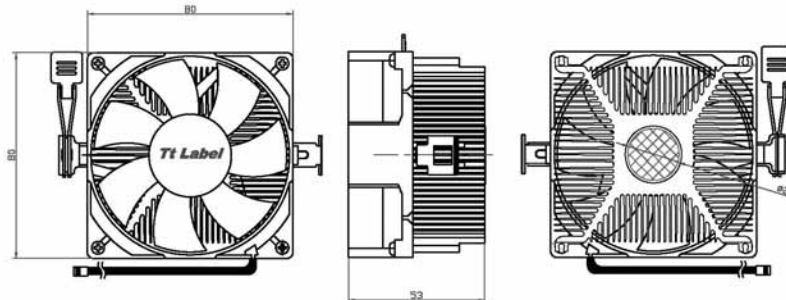


Side View

### FEATURES:

- Excellent ratio aluminum extrusion heatsink for better heat dissipation.
- Pure Copper Core for base.
- Optimized solution.
- Tool-free clip and easy installation.

### DIMENSION



Unit: mm