

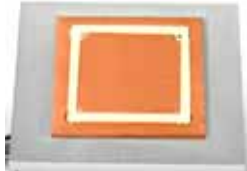
Thermaltake Mobile Solution

P/N : CL-P0312

Application for AMD Turion™ 64
81W



Perfect Ratio AL Fin



Copper base and
Gasket pad



Tool-less clip

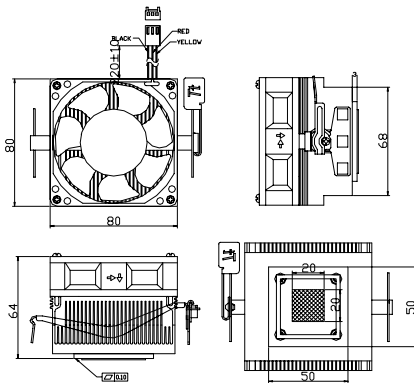
Specification

Dimension:	80(L)x160.5(W)x64(H)mm
Fan Dimension :	80(L)X80(W)X25(H)mm
Heat Sink Material:	Al Heat-sink w/ Cu Base
Rated Voltage :	12V
Started Voltage :	6V
Rated Current :	0.14A
Power Input :	1.68W
Fan Speed :	2500±10%RPM
Max. Air Flow :	32.4CFM
Max. Air Pressure:	2.9mmH ₂ O
Max. Noise :	21dBA
Bearing Type:	Sleeve
Life expectancy :	30,000 Hrs

Features

- Application for Turion™ 64 CPU on desktop PC.
- Copper base, makes good heat conduction.
- Silent solution: 2500RPM fan, 21 dBA ONLY.
- Tool-less clip : Designed to fit quickly.
- Gap pad provides better protection for CPU.

Dimension



Unit: mm

THERMAL PERFORMANCE

