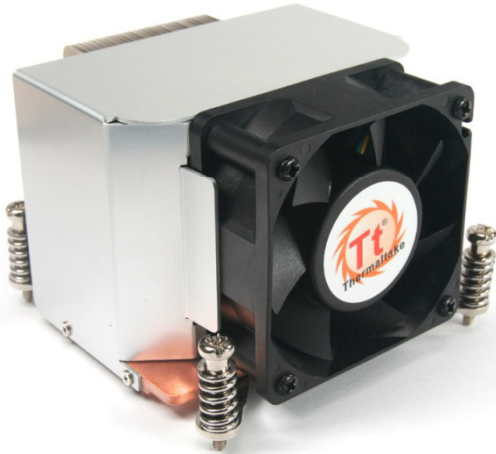


P/N : CLS0005

Application for: Intel Nehalem 130W LGA1366 2U server



SPECIFICATIONS	
Compatibility	Intel Nehalem 130W (LGA1366 2U server)
Dimension	(L)90.0 x (W)88.0 x (H)64.0 mm
Fan Dimension	φ 60x25 mm
Heat Sink Material	Aluminum Fin + Copper Base + Heat Pipe
Rated Voltage	12 V
Operating Voltage Range	10.8~13.2 V
Rated Current	0.02-0.26 A
Rated Speed	1800 ±300 rpm ~ 5500 rpm ± 10%
Air Flow	8.99~27.49 CFM
Static Pressure	0.73~6.78 mmH ₂ O
Noise Level	19~39 dBA
Speed Controlled Type	PWM
Connector	4 Pin
Bearing	EBR
Life Expectancy	30,000 Hrs
Weight	390 g



Top View



Bottom View



Side View

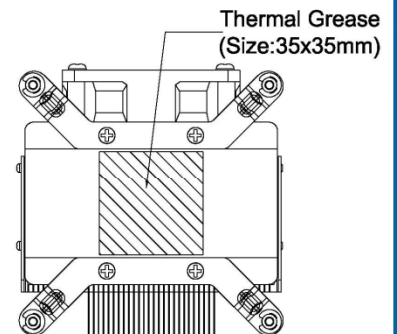
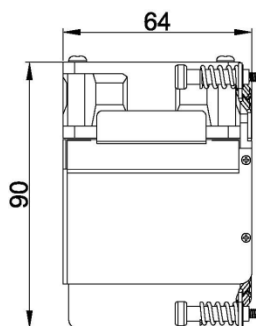
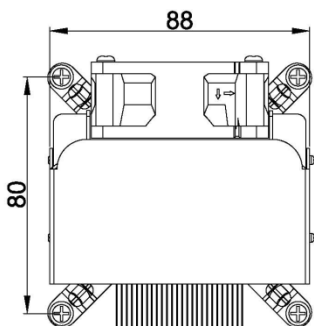


Spring Screw

FEATURES:

- Aluminum fin and copper base.
- Spring screw mounting method ensure safe installation when shipping.
- High density aluminum thin fin: more surface area gives good heat dissipation.
- PWM Speed controlled.

DIMENSION



Unit: mm