

P/N : CLS0006

Application for: Intel Nehalem 95W LGA1366 1U server



SPECIFICATIONS	
Compatibility	Intel Nehalem-EP 95W (LGA1366 1U server)
Dimension	(L)90.0 x (W)90.0 x (H)13.5 mm
Fan Dimension	ψ70x10 mm
Heat Sink Material	All Copper Base & Copper Fins
Rated Voltage	12 V
Operating Voltage Range	5.0~13.2 V
Rated Current	0.45 A (Max.)
Rated Speed	4800 rpm ± 10%
Air Flow	28.7 CFM
Static Pressure	3.34 mmH ₂ O
Noise Level	40.3 dBA
Speed Controlled Type	N/A
Connector	3 Pin
Bearing	1 Ball
Life Expectancy	40,000 Hrs
Weight	520 g



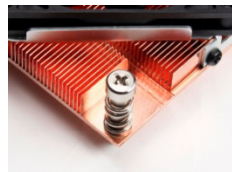
Top View



Bottom View



Side View



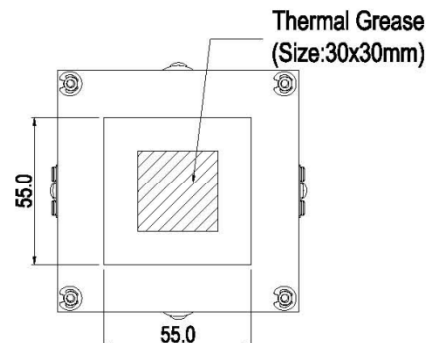
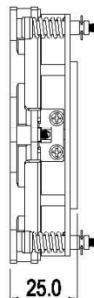
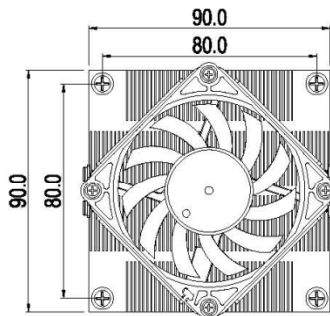
Spring Screw

FEATURES:

- All copper fins and copper base Skived Technology.
- Spring screw mounting method ensure safe installation when shipping.
- High density copper thin fin: more surface area gives good heat dissipation.

DIMENSION

Unit: mm



Thermal Grease (Size:30x30mm)