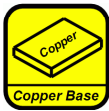


P/N : CLS0013

Application for: AMD Socket F (1207) 2U Server



SPECIFICATIONS	
Compatibility	AMD Socket F (1207) AMD Opteron 2000 Series AMD Opteron 8000 Series
Dimension	(L)100.90 x (W)92.0 x (H)63.2 mm
Fan Dimension	70 x 70 x 15 mm
Heat Sink Material	Copper Base Soldered Aluminum Fin Array
Heat Pipe	Ø 6mm x 4 pieces
Rated Voltage	12 V
Operating Range	10.8 ~ 13.2 V
Rated Current	0.45 A (Max)
Rated Speed	1200 ~ 6000 RPM
Air Flow	9.40 ~ 46.98 CFM
Static Pressure	0.36 ~ 8.94mmH ₂ O
Noise Level	19 ~ 48 dBA
Speed Controlled Type	PWM
Connector	4 Pin
Bearing	1 Ball & 1 Sleeve
Life expectancy	40,000 Hrs
Type of Fixing	Spring / Screw

FEATURES:

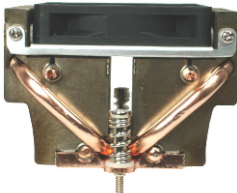
- Application for AMD Socket F with 3.5" mounting pitch (88.9 mm).
- Aluminum fin array soldered with copper base and heat pipes by seamless soldering process.
- Spring screw provide robust fixing with board during shipping.
- Heat pipe provides excellent thermal conduction and increase the fin efficiency.
- Optimal fin ratio and fan combination provide the good thermal performance.
- Pre-applied thermal grease is convenient for installation.



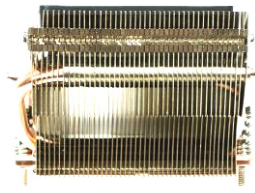
Top View



Bottom View

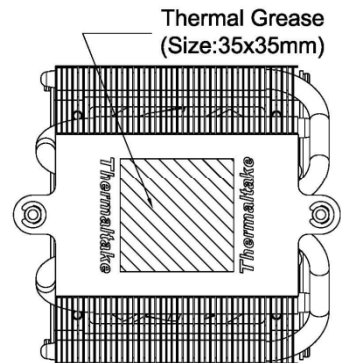
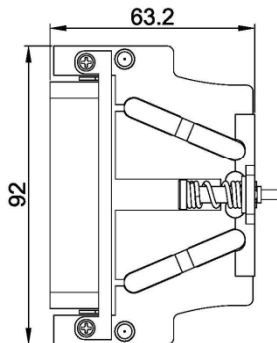
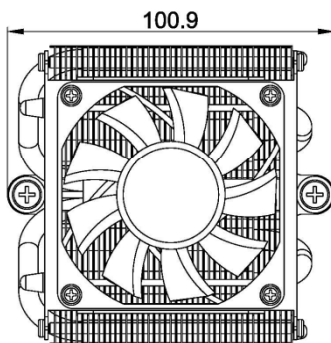


Front View



Side View

DIMENSION



Unit: mm