

**P/N : CLS0014**

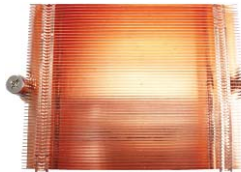
Application for: AMD Socket G34 1U Server



SPECIFICATIONS	
Compatibility	AMD Socket G34 CPU
Dimension	(L)115.5 x (W)74.0 x (H)26.7 mm
Heat Sink Material	Copper Base Soldered Copper Fin Array
Weight	504.5g
Type of Fixing	Spring / Screw

## FEATURES:

- Application for AMD Socket G34 1U Server.
- All copper fin soldered with copper base by seamless soldering process.
- Spring screw provide robust fixing with board during shipping.
- High density copper fin array: Good fin efficiency and provides more surface area for heat dissipation.
- Pre-applied thermal grease is convenient for installation.



Top View



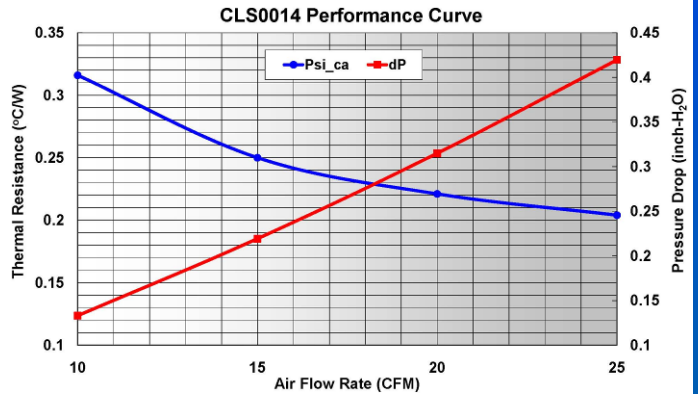
Bottom View



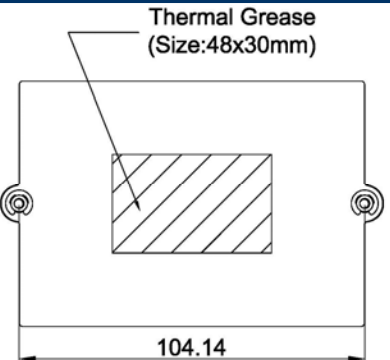
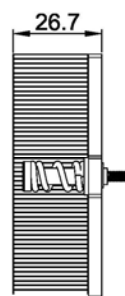
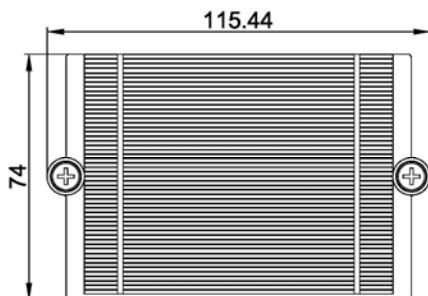
Front View



Spring-screw



## DIMENSION



Unit: mm