

P/N : CLS0015

Application for: AMD Socket G34 1U Server



SPECIFICATIONS	
Compatibility	AMD Socket G34 CPU
Dimension	(L)115.5 x (W)75.0 x (H)25.4 mm
Fan Dimension	70 x 70 x 10 mm
Heat Sink Material	All Copper Base & Copper Fins
Rated Voltage	12 V
Operating Range	7.0 ~ 13.2 V
Rated Current	0.45 A
Rated Speed	4800 ± 10% RPM
Air Flow	30.5 CFM
Static Pressure	4.49 mmH ₂ O
Noise Level	36 dBA
Connector	3 Pin
Bearing	1 Ball & 1 Sleeve
Life expectancy	40,000 Hrs
Weight	416.4g
Type of Fixing	Spring / Screw

FEATURES:

- Application for AMD Socket G34 1U Server.
- All copper skived fin technology makes the temperature distribution of heat sink more uniform.
- Spring screw provide robust fixing with board during shipping.
- Optimal fin ratio and fan combination provide the good thermal performance.
- Pre-applied thermal grease is convenient for installation.



Top View



Bottom View

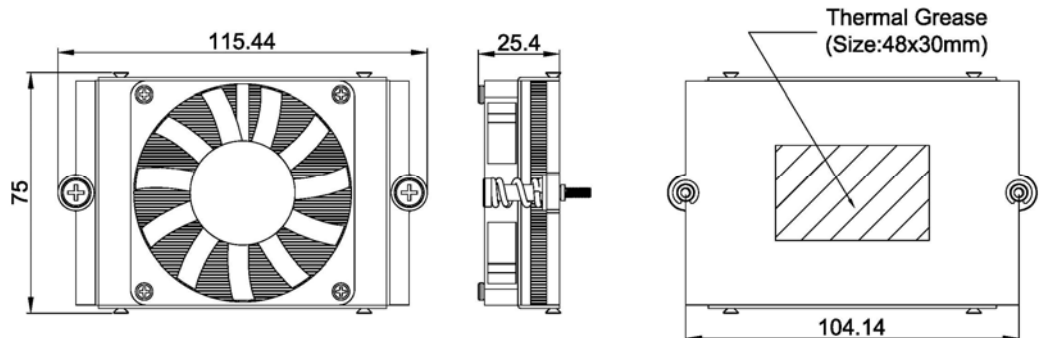


Side View



Spring-screw

DIMENSION



Unit: mm