



**P/N : A4011**

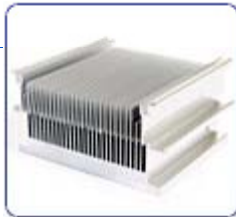
Application for: Intel™ Prescott 478 FMB1.0  
2.8GHz and higher required system airflow



SPECIFICATIONS	
Dimension	(L)92.5 x (W)88.6 x (H)70.0 mm
Fan Dimension	80 x 80 x 25 mm
Heat Sink Material	Al Extrusion Heat Sink
Rated Voltage	12 V
Operating Voltage Range	7.0~13.2 V
Rated Current	0.14 A
Rated Speed	2500 ± 10% RPM
Air Flow	40.0 CFM
Static Pressure	3.27 mmH <sub>2</sub> O
Noise Level	21 dBA
Speed Controlled Type	N/A
Connector	3 Pin
Bearing	One Sleeve
Life Expectancy	30,000 Hours
Weight	383g

## FEATURES:

- Silent solution, 21dBA only.
- High aspect ratio aluminum extrusion heatsink, better heat dissipation.
- Spring clip, easy installation.

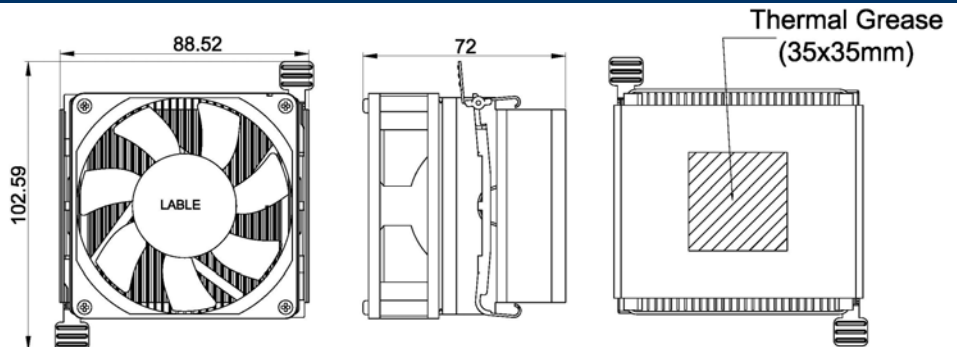


High aspect ratio aluminum extrusion heatsink, better heat dissipation



Spring clip, easy installation

## DIMENSION



Unit: mm