



**P/N : A4012-02**

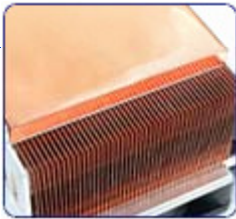
Application for: Intel™ Prescott 478 FMB1.5  
3.6GHz



SPECIFICATIONS	
Dimension	(L)104.5 x (W)102 x (H)70.0 mm
Fan Dimension	80 x 80 x 25 mm
Heat Sink Material	Cooper Fin +Cooper Base
Rated Voltage	12 V
Operating Voltage Range	5.0~13.2 V
Rated Current	0.14 A
Rated Speed	2500 ± 10% RPM
Air Flow	33.0 CFM
Static Pressure	2.28 mmH <sub>2</sub> O
Noise Level	21 dBA
Speed Controlled Type	N/A
Connector	3 Pin
Bearing	Ball Bearing
Life Expectancy	40,000 Hours
Weight	580g

## FEATURES:

- Silent solution, 21dBA only.
- All copper, Opti-Fin Technology, gives good heat dissipation properties.
- Tool-free clip, require no tool to install.

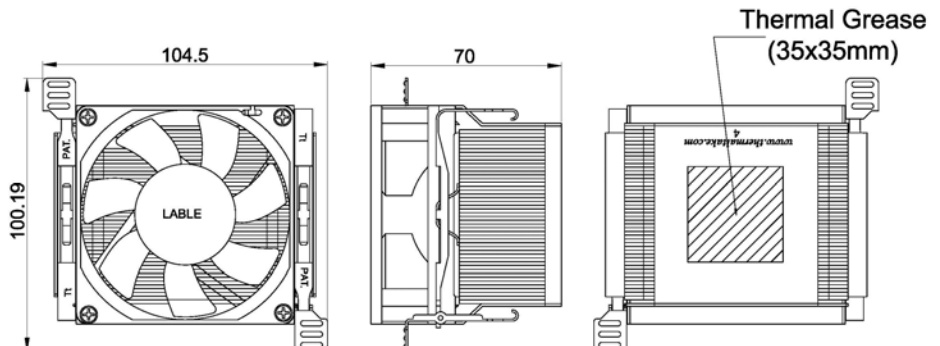


All copper, Opti-Fin Technology, gives good heat dissipation properties



Spring clip, easy installation

## DIMENSION



Unit: mm