



TR2 i1 P/N : CLP0569

Application for: Intel LGA1156 Lynnfield (95W)
/ Clarkdale (87W) Desktop CPU



Top View



Bottom View



Side View



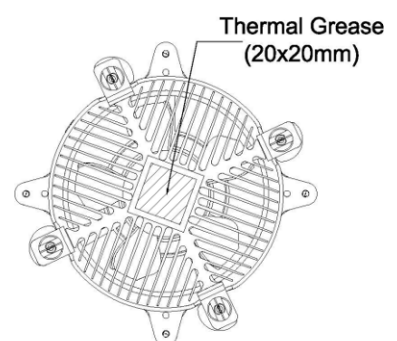
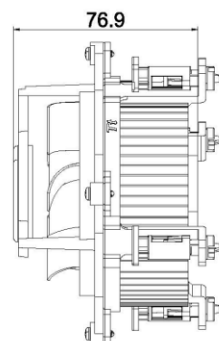
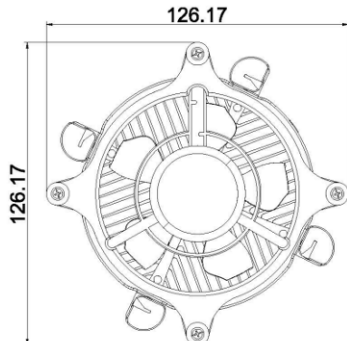
Push Pin

SPECIFICATIONS	
Compatibility	Intel LGA1156 Lynnfield (95W) Intel LGA1156 Clarkdale (87W)
Dimension	(L)126.2 x (W)126.2 x (H)76.9 mm
Fan Dimension	Ø 92 x 38mm
Heat Sink Material	Al Extrusion Heat Sink
Rated Voltage	12 V
Operating Voltage Range	6.0~13.2 V
Rated Current	0.25 A (Max)
Rated Speed	1000~ 2300 RPM
Air Flow	42.60 CFM (Max)
Static Pressure	2.33 mmH ₂ O (Max)
Noise Level	18 dBA (Max)
Speed Controlled Type	PWM
Connector	4 Pin
Bearing	One Sleeve
Life Expectancy	30,000 Hours
Weight	333g

FEATURES:

- Push pin design for tool-free easy installation.
- Multi-orientation heat sink design provide sufficient airflow to VRM, chipset and memory area.
- Optimal fin ratio and fan combination provide a cost-effective solution with good thermal performance.
- 4-pin PWM reversed-blade fan provides silent operation.

DIMENSION



Unit: mm